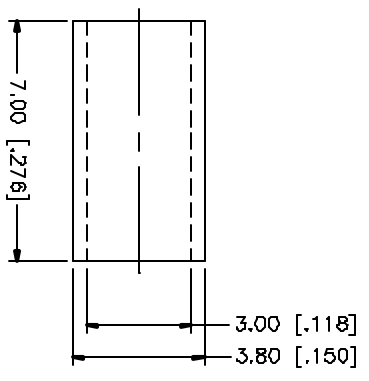
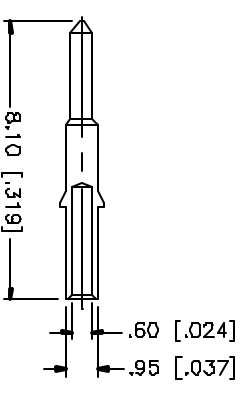
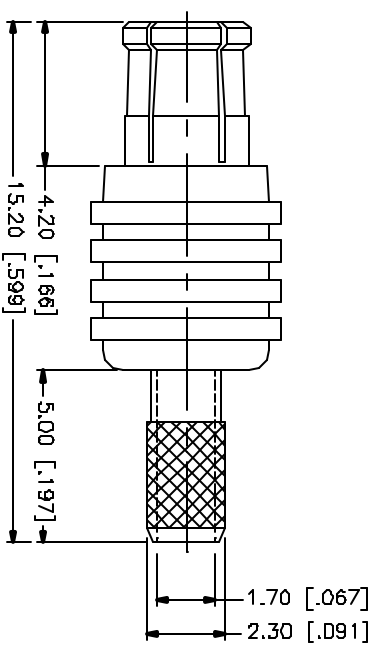
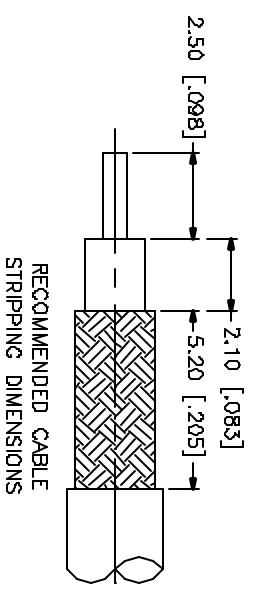


REV.	DATE	DESCRIPTION
A	01/13/99	UPDATE DRAWING
B	05/01/04	UPDATE DRAWING FORMAT



NOTE:

1. CRIMPED FERRULE
HEX CRIMP SIZE .128"
2. CRIMPED CONTACT PIN
SQ. CRIMP SIZE 0.7mm

DESCRIPTION	MATERIAL	FINISH	QTY	UNLESS OTHERWISE SPECIFIED DIMENSIONS ARE IN INCHES AND FOR PARTS NOT OTHERWISE SPECIFIED DIMENSIONS FOR MILLIMETERS ARE	APPROVALS	DATE	PART DESCRIPTION	DWG. NO.	REV.	SIZE	SCALE
B							<p>Amphenol Connex</p> <p>MCX CRIMP PLUG (FOR RG-174/U, 188A/U, 316/U)</p> <p>252103</p>	252103.DWG	B	A	NA
7				UNLESS OTHERWISE SPECIFIED DIMENSIONS ARE IN INCHES AND FOR PARTS NOT OTHERWISE SPECIFIED DIMENSIONS FOR MILLIMETERS ARE							
6				UNLESS OTHERWISE SPECIFIED DIMENSIONS ARE IN INCHES AND FOR PARTS NOT OTHERWISE SPECIFIED DIMENSIONS FOR MILLIMETERS ARE							
5	FERRULE	COPPER	1	UNLESS OTHERWISE SPECIFIED DIMENSIONS ARE IN INCHES AND FOR PARTS NOT OTHERWISE SPECIFIED DIMENSIONS FOR MILLIMETERS ARE							
4	CONTACT PIN	BRASS	1	UNLESS OTHERWISE SPECIFIED DIMENSIONS ARE IN INCHES AND FOR PARTS NOT OTHERWISE SPECIFIED DIMENSIONS FOR MILLIMETERS ARE							
3	INSULATOR	TEFLON	1	UNLESS OTHERWISE SPECIFIED DIMENSIONS ARE IN INCHES AND FOR PARTS NOT OTHERWISE SPECIFIED DIMENSIONS FOR MILLIMETERS ARE							
2	BODY	BER. COPPER	1	UNLESS OTHERWISE SPECIFIED DIMENSIONS ARE IN INCHES AND FOR PARTS NOT OTHERWISE SPECIFIED DIMENSIONS FOR MILLIMETERS ARE							
1	HOUSING	BRASS	1	UNLESS OTHERWISE SPECIFIED DIMENSIONS ARE IN INCHES AND FOR PARTS NOT OTHERWISE SPECIFIED DIMENSIONS FOR MILLIMETERS ARE							
DESCRIPTION				MATERIAL		FINISH		QTY		DD NOT SCALE DRAWING	
				UNLESS OTHERWISE SPECIFIED DIMENSIONS ARE IN INCHES AND FOR PARTS NOT OTHERWISE SPECIFIED DIMENSIONS FOR MILLIMETERS ARE		APPROVALS		DATE		PART DESCRIPTION	
				UNLESS OTHERWISE SPECIFIED DIMENSIONS ARE IN INCHES AND FOR PARTS NOT OTHERWISE SPECIFIED DIMENSIONS FOR MILLIMETERS ARE		DRAWN		05/01/04		MCX CRIMP PLUG	
				UNLESS OTHERWISE SPECIFIED DIMENSIONS ARE IN INCHES AND FOR PARTS NOT OTHERWISE SPECIFIED DIMENSIONS FOR MILLIMETERS ARE		CHECKED				(FOR RG-174/U, 188A/U, 316/U)	
				UNLESS OTHERWISE SPECIFIED DIMENSIONS ARE IN INCHES AND FOR PARTS NOT OTHERWISE SPECIFIED DIMENSIONS FOR MILLIMETERS ARE		ISSUED				252103	
				UNLESS OTHERWISE SPECIFIED DIMENSIONS ARE IN INCHES AND FOR PARTS NOT OTHERWISE SPECIFIED DIMENSIONS FOR MILLIMETERS ARE		SHEET		1 OF 1			
				UNLESS OTHERWISE SPECIFIED DIMENSIONS ARE IN INCHES AND FOR PARTS NOT OTHERWISE SPECIFIED DIMENSIONS FOR MILLIMETERS ARE		PART NO.		252103			
				UNLESS OTHERWISE SPECIFIED DIMENSIONS ARE IN INCHES AND FOR PARTS NOT OTHERWISE SPECIFIED DIMENSIONS FOR MILLIMETERS ARE		DWG. NO.		252103.DWG			
				UNLESS OTHERWISE SPECIFIED DIMENSIONS ARE IN INCHES AND FOR PARTS NOT OTHERWISE SPECIFIED DIMENSIONS FOR MILLIMETERS ARE		REV.		B			
				UNLESS OTHERWISE SPECIFIED DIMENSIONS ARE IN INCHES AND FOR PARTS NOT OTHERWISE SPECIFIED DIMENSIONS FOR MILLIMETERS ARE		SIZE		A			
				UNLESS OTHERWISE SPECIFIED DIMENSIONS ARE IN INCHES AND FOR PARTS NOT OTHERWISE SPECIFIED DIMENSIONS FOR MILLIMETERS ARE		SCALE		NA			